

DGHS36 DECK ASSEMBLY PARTS LIST (FIGURE D1)

ITEM NO.	PART NO.	DESCRIPTION	NO. REQ'D	ITEM NO.	PART NO.	DESCRIPTION	NO. REQ'D
1	5744-1	Spring Clip Bracket	1	39	5754	Backup Plate	1
2	5743-2	Counterweight Spring	2	40	5755	Chute Lower Lip	1
3	5743-3	Eye Bolt, Counterweight Spring Tension	2	41	5726	Chute Hinge	1
4	5830	Grease Fitting	4	42	5701-4	36" Deck Housing, GHS	1
5	5743-1	Spring Cover	2	43	5808	Decal, Danger Rotating Blade	2
6	5975-3	Cable Tie, 50 X 7	4	44	5706	Blade Hub And Trash Guard	2
7	5775-2	Hitch Pin, #6	6	45	5705-2	Blade, 20" LH Rotation	1
8	6430-2	Deck Support Arm, LH	1	46	5705-0	Blade, 20" RH Rotation	1
	6430-1	Deck Support Arm, RH (Not Illustrated)	1	47	5705-6	Blade Set, 36" GHS Deck Incl. Hub	1
9	5727-1	Washer Shim, 1/4" Thick	4	48	5747-1	Safety Tread (6 X 19)	1
10	5740-2	Deck Pin Bushing	4	49	5858	Deck Serial Number Plate	1
11	5748	Safety Tread (2 X 6)	2				
12	5749-1	Deck Lift Rod (36" Deck)	1	P007	P007	Gasket, Cap (Peerless #788030)	4
13	5708-3	36" Deck Carrier Frame	1				
	5700-5	Complete 36" Carrier Frame Assembly	0	F002	F002	10-24 Keps Nut	4
14	5683	Pivot Bearing (Deck Caster Wheel)	4	F005	F005	1/4-20 ESNA Nut	2
15	5770-2	Caster Wheel Fork	2	F012	F012	3/8-16 Keps Nut	2
16	5714-7	Bearing Cap (Fits 5715-3 or -4)	4	F013	F013	3/8-16 Whiz Lock Nut	4
17	5714-3	Axle Spacer Tube (Fits 5715-3 or -4)	2	F014	F014	3/8-16 ESNA Nut	2
18	5715-4	Pneumatic Deck Caster Wheel	2	F018	F018	5/8-18 Hex Nut	2
	5715-10	Tire Only, Pneumatic 2.80/2.50-4	0	F029	F029	1/4-20 x 1/2 Hex Bolt	4
	5715-9	Tube Only, Pneumatic 2.80/2.50-4	0	F036	F036	1/4-20 x 1/2 Socket Button Head Bolt	2
	5715-3	Semi-Pneumatic Deck Caster Wheel (Opt.)	0	F038	F038	3/8-16 x 1 Hex Bolt	2
19	5830-3	Grease Fitting (45 Degree)	4	F039	F039	3/8-16 x 1-1/4 Hex Bolt	4
20	5714-5	Bearing, Caster Whl (Fits 5715-3 or -4)	2	F047	F047	3/8-16 x 4-1/2 Hex Bolt	2
21	5809	Decal, Walker Mower Logo	1	F051	F051	3/8 SAE Washer	1
22	5682	Compression Spring, Deck Lift Rod	1	F054	F054	AN960616 Washer	1
23	5807-1	Decal, Cutting Height Adjust	1	F055	F055	5/8 SAE Washer	2
24	5747-0	Safety Tread (3-1/4 X 6)	2	F056	F056	5/8 Split Lock Washer	2
25	5746	Gearbox Cover (36" Deck)	1	F062	F062	#8 Internal Star Lock Washer	2
26	5285	Universal Joint Shaft Assembly	1	F065	F065	3/16 X 3/4 Woodruff Key (#9)	1
27	6875	Decal, PTO Alignment Arrow	1	F076	F076	3/8-16 X 5/8 SH Set Screw	1
28	5052-3	Washer, Oblong	4	F079	F079	A/A66D Aluminum Pop Rivet (Field Rpr.)	8
29	5052-1	Blade Drive Gearbox (LH Rotation)	2	F111	F111	1/8 X 3/4 Cotter Pin	1
30	5060	Gearbox Connector Tube (2-1/2")	1	F123	F123	1" External Snap Ring (Fits 5740-2)	4
31	5745	PTO Shaft Guard	1	F124	F124	10-32 x 3/8 Taptite Screw	9
32	6054	Spline Coupling	3	F166	F166	Retainer Ring (Fits 5743-2)	4
33	5051	Tee Gearbox	1	F191	F191	3/8 X 1-1/2 X 3/16 Washer (Fits 5770-2)	2
34	6732-2	Connecting Shaft (4")	1	F202	F202	10-24 x 5/8 SCH Machine Screw (Grade 8)	4
35	5061	Gearbox Connector Tube (6-1/2")	1	F206	F206	#2 X 3/16 Drive Pin	2
36	5706-4	Seal Protector Plate	3	F211	F211	1/4-20 x 7/8 Hex Bolt	16
37	5797	Discharge Chute (Only)	1	F224	F224	Semi-Tubular Rivet (3/16 X 7/16)	8
38	5794	Discharge Chute Assm (6-1/2" Intake)	1	F229	F229	C-Clip, 13/16"	2

NOTE: Unitized Deck Gear Drive Shown By This Illustration
Begins Approximately With S/N DX-13950

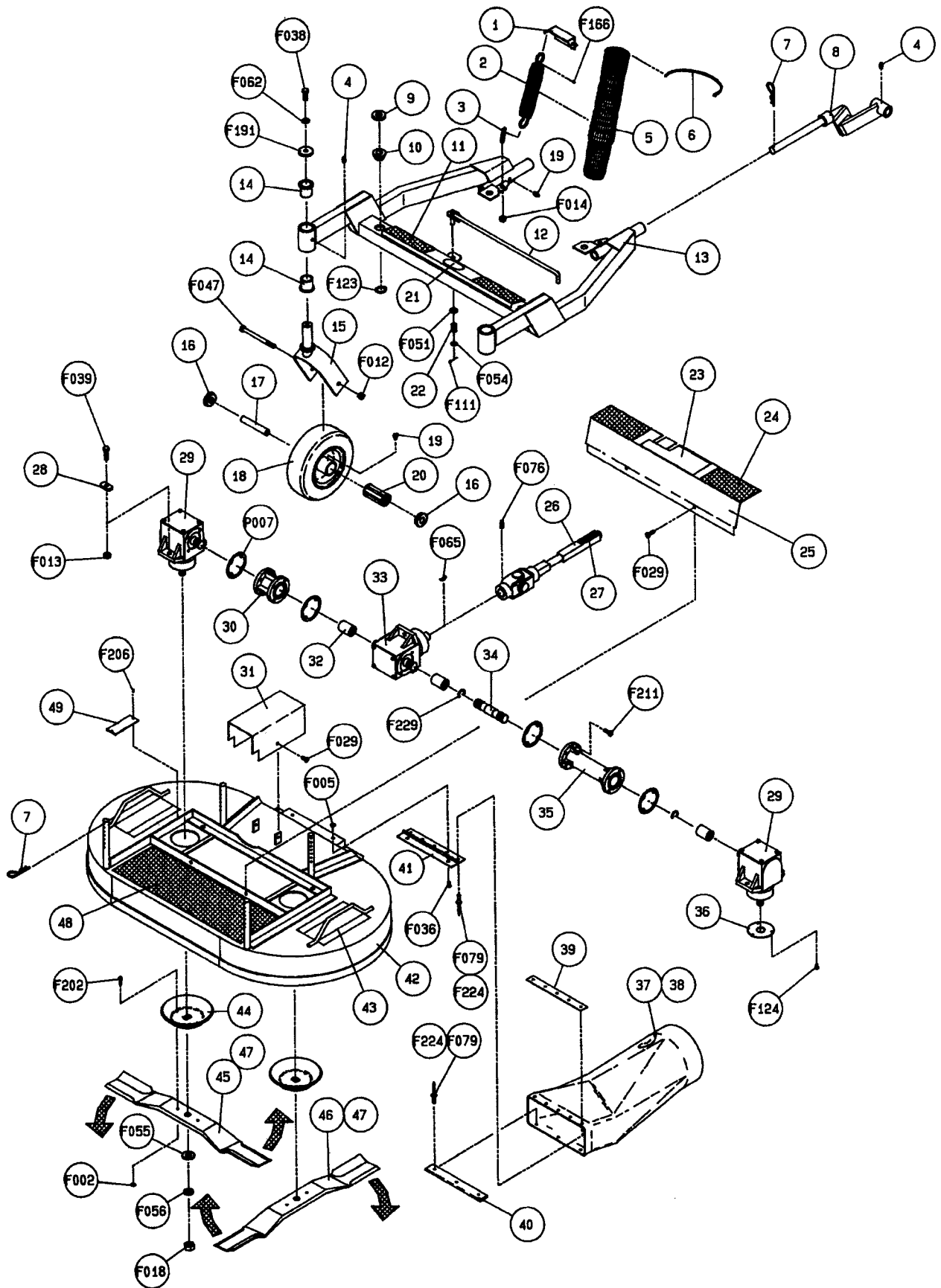


FIGURE D1 - DGHS36 DECK ASSEMBLY

DSD36 DECK ASSEMBLY PARTS LIST (FIGURE D2)

ITEM NO.	PART NO.	DESCRIPTION	NO. REQ'D	ITEM NO.	PART NO.	DESCRIPTION	NO. REQ'D
1	5744-1	Spring Clip Bracket	1	37	5706-4	Seal Protector Plate	3
2	5743-2	Counterweight Spring	2	38	5702-3	36" Deck Housing, SD	1
3	5743-3	Eye Bolt, Counterweight Spring Tension	2	39	5808	Decal, Danger Rotating Blade	2
4	5830	Grease Fitting	4	40	5706	Blade Hub And Trash Guard	2
5	5743-1	Spring Cover	2	41	5705-1	Blade, 20" RH Rotation	2
6	5975-3	Cable Tie, 50 X 7	4	42	5705-5	Blade Set, 36" SD Deck Incl. Hub	1
7	5775-2	Hitch Pin, #6	6	43	5747-1	Safety Tread (6 X 19)	1
8	6430-2	Deck Support Arm, LH	1	44	5709-2	Discharge Shield, Hinged Mount	1
	6430-1	Deck Support Arm, RH (Not Illustrated)	1	45	5848	Decal, Danger Side Discharge Shield	1
9	5727-1	Washer Shim, 1/4" Thick	4	46	5858	Deck Serial Number Plate	1
10	5740-2	Deck Pin Bushing	4				
11	5748	Safety Tread (2 X 6)	2	P007	P007	Gasket, Cap (Peerless #788030)	4
12	5749-1	Deck Lift Rod (36" Deck)	1				
13	5708-3	36" Deck Carrier Frame	1	F002	F002	10-24 Keps Nut	4
	5700-5	Complete 36" Carrier Frame Assembly	0	F012	F012	3/8-16 Keps Nut	2
14	5683	Pivot Bearing (Deck Caster Wheel)	4	F013	F013	3/8-16 Whiz Lock Nut	4
15	5770-2	Caster Wheel Fork	2	F014	F014	3/8-16 ESNA Nut	4
16	5714-7	Bearing Cap (Fits 5715-3 or -4)	4	F018	F018	5/8-18 Hex Nut	2
17	5714-3	Axle Spacer Tube (Fits 5715-3 or -4)	2	F029	F029	1/4-20 X 1/2 Hex Bolt	4
18	5715-4	Pneumatic Deck Caster Wheel	2	F038	F038	3/8-16 X 1 Hex Bolt	2
	5715-10	Tire Only, Pneumatic 2.80/2.50-4	0	F039	F039	3/8-16 X 1-1/4 Hex Bolt	6
	5715-9	Tube Only, Pneumatic 2.80/2.50-4	0	F047	F047	3/8-16 X 4-1/2 Hex Bolt	2
	5715-3	Semi-Pneumatic Deck Caster Wheel (Opt.)	0	F051	F051	3/8 SAE Washer	1
19	5830-3	Grease Fitting (45 Degree)	4	F054	F054	AN960616 Washer	1
20	5714-5	Bearing, Caster Whl (Fits 5715-3 or -4)	2	F055	F055	5/8 SAE Washer	2
21	5809	Decal, Walker Mower Logo	1	F056	F056	5/8 Split Lock Washer	2
22	5682	Compression Spring, Deck Lift Rod	1	F059	F059	3/8 Wavy Spring Washer	2
23	5807-1	Decal, Cutting Height Adjust	1	F062	F062	#8 Internal Star Lock Washer	2
24	5747-0	Safety Tread (3-1/4 X 6)	2	F065	F065	3/16 X 3/4 Woodruff Key (#9)	1
25	5746	Gearbox Cover (36" Deck)	1	F076	F076	3/8-16 X 5/8 SH Set Screw	1
26	5285	Universal Joint Shaft Assembly	1	F111	F111	1/8 X 3/4 Cotter Pin	1
27	6875	Decal, PTO Alignment Arrow	1	F123	F123	1" External Snap Ring (Fits 5740-2)	4
28	5052-3	Washer, Oblong	4	F124	F124	10-32 X 3/8 Taprite Screw	9
29	5053-1	Blade Drive Gearbox (RH Rotation)	1	F166	F166	Retainer Ring (Fits 5743-2)	4
30	5060	Gearbox Connector Tube (2-1/2")	1	F191	F191	3/8 X 1-1/2 X 3/16 Washer (Fits 5770-2)	2
31	6054	Spline Coupling	3	F202	F202	10-24 X 5/8 SCH Machine Screw (Grade 8)	4
32	5051	Tee Gearbox	1	F206	F206	#2 X 3/16 Drive Pin	2
33	5745	PTO Shaft Guard	1	F211	F211	1/4-20 X 7/8 Hex Bolt	16
34	6732-2	Connecting Shaft (4")	1	F229	F229	C-Clip, 13/16"	2
35	5061	Gearbox Connector Tube (6-1/2")	1				
36	5052-1	Blade Drive Gearbox (LH Rotation)	1				

NOTE: Unititized Deck Gear Drive Shown By This Illustration Begins Approximately With S/N DX-13950

DSD42 DECK ASSEMBLY PARTS LIST (FIGURE D3)

ITEM NO.	PART NO.	DESCRIPTION	NO. REQ'D	ITEM NO.	PART NO.	DESCRIPTION	NO. REQ'D
1	5744-1	Spring Clip Bracket	1	38	5706-4	Seal Protector Plate	3
2	5743-2	Counterweight Spring	2	39	5703-3	42" Deck Housing, SD	1
3	5743-3	Eye Bolt, Counterweight Spring Tension	2	40	5808	Decal, Danger Rotating Blade	2
4	5830	Grease Fitting	4	41	5706	Blade Hub And Trash Guard	2
5	5743-1	Spring Cover	2	42	5705-3	Blade, 22" RH Rotation	2
6	5975-3	Cable Tie, 50 X 7	4	43	5705-7	Blade Set, 42" SD Deck Incl. Hub	1
7	5775-2	Hitch Pin, #6	6	44	5747-1	Safety Tread (6 X 19)	1
8	6430-2	Deck Support Arm, LH	1	45	5709-2	Discharge Shield, Hinged Mount	1
	6430-1	Deck Support Arm, RH (Not Illustrated)	1	46	5848	Decal, Danger Side Discharge Shield	1
9	5727-1	Washer Shim, 1/4" Thick	4	47	5858	Deck Serial Number Plate	1
10	5740-2	Deck Pin Bushing	4				
11	5748	Safety Tread (2 X 6)	2	P007	P007	Gasket, Cap (Peerless #788030)	4
12	5786-1	Deck Lift Rod (42"/54" Deck)	1				
13	5719-3	42" Deck Carrier Frame	1	F002	F002	10-24 Keps Nut	4
	5700-6	Complete 42" Carrier Frame Assembly	0	F012	F012	3/8-16 Keps Nut	2
14	5683	Pivot Bearing (Deck Caster Wheel)	4	F013	F013	3/8-16 Whiz Lock Nut	4
15	5770-2	Caster Wheel Fork	2	F014	F014	3/8-16 ESNA Nut	4
16	5714-7	Bearing Cap (Fits 5715-3 or -4)	4	F018	F018	5/8-18 Hex Nut	2
17	5714-3	Axle Spacer Tube (Fits 5715-3 or -4)	2	F029	F029	1/4-20 X 1/2 Hex Bolt	4
18	5715-4	Pneumatic Deck Caster Wheel	2	F038	F038	3/8-16 X 1 Hex Bolt	2
	5715-10	Tire Only, Pneumatic 2.80/2.50-4	0	F039	F039	3/8-16 X 1-1/4 Hex Bolt	6
	5715-9	Tube Only, Pneumatic 2.80/2.50-4	0	F047	F047	3/8-16 X 4-1/2 Hex Bolt	2
	5715-3	Semi-Pneumatic Deck Caster Wheel (Opt.)	0	F051	F051	3/8 SAE Washer	1
19	5830-3	Grease Fitting (45 Degree)	4	F054	F054	AN960616 Washer	1
20	5714-5	Bearing, Caster Whl (Fits 5715-3 or -4)	2	F055	F055	5/8 SAE Washer	2
21	5809	Decal, Walker Mower Logo	1	F056	F056	5/8 Split Lock Washer	2
22	5682	Compression Spring, Deck Lift Rod	1	F059	F059	3/8 Wavy Spring Washer	2
23	5807-1	Decal, Cutting Height Adjust	1	F062	F062	#8 Internal Star Lock Washer	2
24	5747-0	Safety Tread (3-1/4 X 6)	2	F065	F065	3/16 X 3/4 Woodruff Key (#9)	1
25	5785	Gearbox Cover (42" Deck)	1	F076	F076	3/8-16 X 5/8 SH Set Screw	1
26	5285	Universal Joint Shaft Assembly	1	F111	F111	1/8 X 3/4 Cotter Pin	1
27	6875	Decal, PTO Alignment Arrow	1	F123	F123	1" External Snap Ring (Fits 5740-2)	4
28	5052-3	Washer, Oblong	4	F124	F124	10-32 X 3/8 Taptite Screw	9
29	5053-1	Blade Drive Gearbox (RH Rotation)	1	F166	F166	Retainer Ring (Fits 5743-2)	4
30	6054	Spline Coupling	4	F191	F191	3/8 X 1-1/2 X 3/16 Washer (Fits 5770-2)	2
31	5062	Gearbox Connector Tube (4-1/2")	1	F202	F202	10-24 x 5/8 SCH Machine Screw (Grade 8)	4
32	6732-1	Connecting Shaft (2")	1	F206	F206	#2 X 3/16 Drive Pin	2
33	5051	Tee Gearbox	1	F211	F211	1/4-20 X 7/8 Hex Bolt	16
34	5745	PTO Shaft Guard	1	F229	F229	C-Clip, 13/16"	4
35	6732-3	Connecting Shaft (6")	1				
36	5063	Gearbox Connector Tube (8-1/2")	1				
37	5052-1	Blade Drive Gearbox (LH Rotation)	1				

NOTE: Unitized Deck Gear Drive Shown By This Illustration Begins Approximately With S/N DX-13950

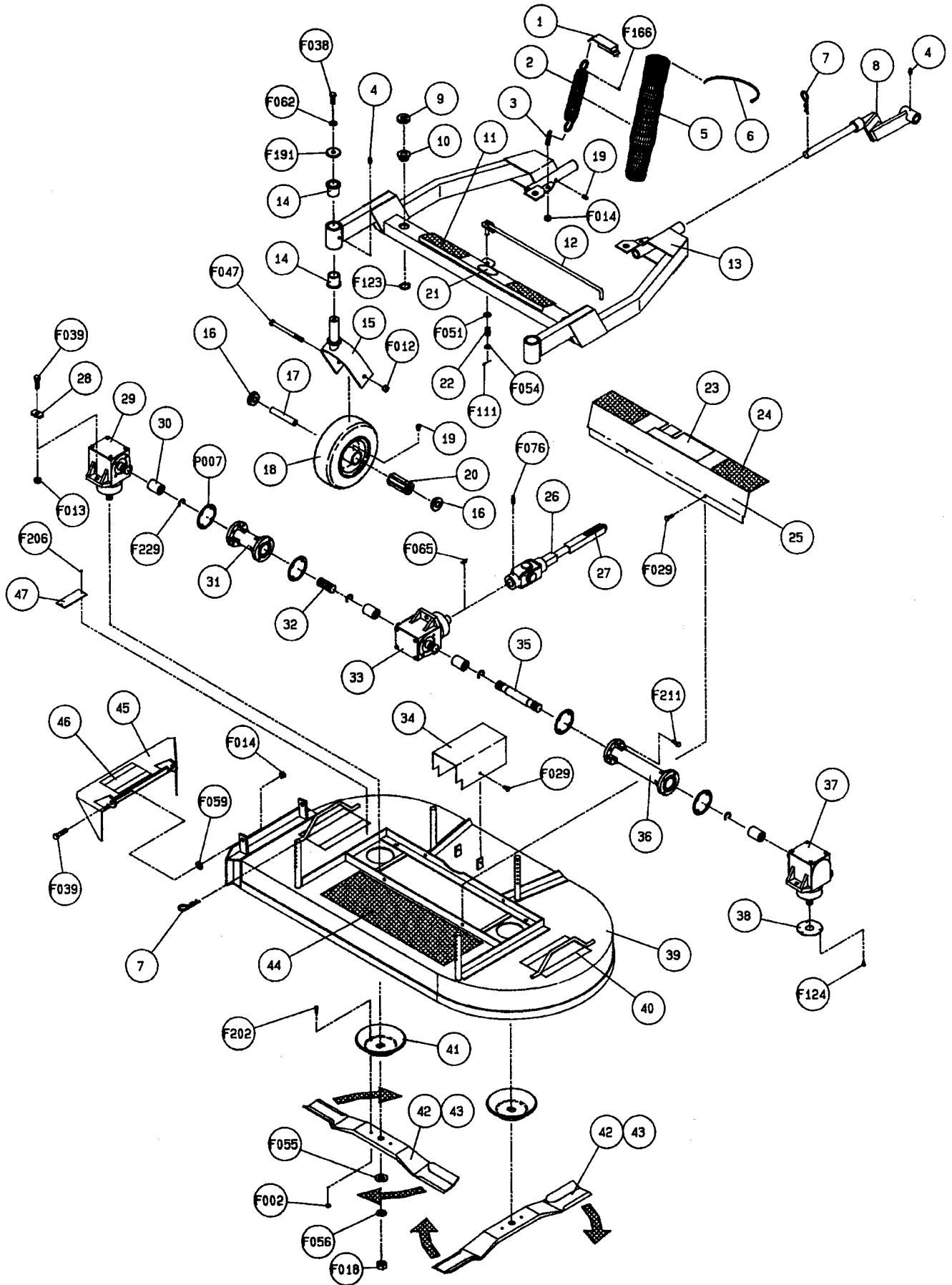


FIGURE D3 - DSD42 DECK ASSEMBLY

DGHS42 DECK ASSEMBLY PARTS LIST (FIGURE D4)

ITEM NO.	PART NO.	DESCRIPTION	NO. REQ'D	ITEM NO.	PART NO.	DESCRIPTION	NO. REQ'D
1	5744-1	Spring Clip Bracket	1	40	5754	Backup Plate	1
2	5743-2	Counterweight Spring	2	41	5726	Chute Hinge	1
3	5743-3	Eye Bolt, Counterweight Spring Tension	2	42	5755	Chute Lower Lip	1
4	5830	Grease Fitting	4	43	5704-4	42" Deck Housing, GHS	1
5	5743-1	Spring Cover	2	44	5808	Decal, Danger Rotating Blade	2
6	5975-3	Cable Tie, 50 X 7	4	45	5705-3	Blade, 22" RH Rotation	1
7	5775-2	Hitch Pin, #6	6	46	5705-8	Blade Set, 42" GHS Deck Incl. Hub	1
8	6430-2	Deck Support Arm, LH	1	47	5705-4	Blade, 22" LH Rotation	1
	6430-1	Deck Support Arm, RH (Not Illustrated)	1	48	5706	Blade Hub And Trash Guard	2
9	5727-1	Washer Shim, 1/4" Thick	4	49	5747-1	Safety Tread (6 X 19)	1
10	5740-2	Deck Pin Bushing	4	50	5858	Deck Serial Number Plate	1
11	5748	Safety Tread (2 X 6)	2				
12	5786-1	Deck Lift Rod (42"/54" Deck)	1	P007	P007	Gasket, Cap (Peerless #788030)	4
13	5719-3	42" Deck Carrier Frame	1	F002	F002	10-24 Keps Nut	4
	5700-6	Complete 42" Carrier Frame Assembly	0	F005	F005	1/4-20 ESNA Nut	2
14	5683	Pivot Bearing (Deck Caster Wheel)	4	F012	F012	3/8-16 Keps Nut	2
15	5770-2	Caster Wheel Fork	2	F013	F013	3/8-16 Whiz Lock Nut	4
16	5714-7	Bearing Cap (Fits 5715-3 or -4)	4	F014	F014	3/8-16 ESNA Nut	2
17	5714-3	Axle Spacer Tube (Fits 5715-3 or -4)	2	F018	F018	5/8-18 Hex Nut	2
18	5715-4	Pneumatic Deck Caster Wheel	2	F029	F029	1/4-20 x 1/2 Hex Bolt	4
	5715-10	Tire Only, Pneumatic 2.80/2.50-4	0	F036	F036	1/4-20 x 1/2 Socket Button Head Bolt	2
	5715-9	Tube Only, Pneumatic 2.80/2.50-4	0	F038	F038	3/8-16 x 1 Hex Bolt	2
	5715-3	Semi-Pneumatic Deck Caster Wheel (Opt.)	0	F039	F039	3/8-16 x 1-1/4 Hex Bolt	4
19	5830-3	Grease Fitting (45 Degree)	4	F047	F047	3/8-16 x 4-1/2 Hex Bolt	2
20	5714-5	Bearing, Caster Whl (Fits 5715-3 or -4)	2	F051	F051	3/8 SAE Washer	1
21	5809	Decal, Walker Mower Logo	1	F054	F054	AN960616 Washer	1
22	5682	Compression Spring, Deck Lift Rod	1	F055	F055	5/8 SAE Washer	2
23	5807-1	Decal, Cutting Height Adjust	1	F056	F056	5/8 Split Lock Washer	2
24	5747-0	Safety Tread (3-1/4 X 6)	2	F062	F062	#8 Internal Star Lock Washer	2
25	5785	Gearbox Cover (42" Deck)	1	F065	F065	3/16 X 3/4 Woodruff Key (#9)	1
26	5285	Universal Joint Shaft Assembly	1	F076	F076	3/8-16 X 5/8 SH Set Screw	1
27	6875	Decal, PTO Alignment Arrow	1	F079	F079	A/A66D Aluminum Pop Rivet	8
28	5052-3	Washer, Oblong	4	F111	F111	1/8 X 3/4 Cotter Pin	1
29	5052-1	Blade Drive Gearbox (LH Rotation)	2	F123	F123	1" External Snap Ring (Fits 5740-2)	4
30	6054	Spline Coupling	4	F124	F124	10-32 x 3/8 Taptite Screw	9
31	5062	Gearbox Connector Tube (4-1/2")	1	F166	F166	Retainer Ring (Fits 5743-2)	4
32	6732-1	Connecting Shaft (2")	1	F191	F191	3/8 X 1-1/2 X 3/16 Washer (Fits 5770-2)	2
33	5745	PTO Shaft Guard	1	F202	F202	10-24 x 5/8 SCH Machine Screw (Grade 8)	4
34	5051	Tee Gearbox	1	F206	F206	#2 X 3/16 Drive Pin	2
35	6732-3	Connecting Shaft (6")	1	F211	F211	1/4-20 x 7/8 Hex Bolt	16
36	5063	Gearbox Connector Tube (8-1/2")	1	F224	F224	Semi-Tubular Rivet (3/16 X 7/16)	8
37	5706-4	Seal Protector Plate	3	F229	F229	C-Clip, 13/16"	4
38	5797	Discharge Chute (Only)	1				
39	5794	Discharge Chute Assm (6-1/2" Intake)	1				

NOTE: Unitized Deck Gear Drive Shown By This Illustration Begins Approximately With S/N DX-13950

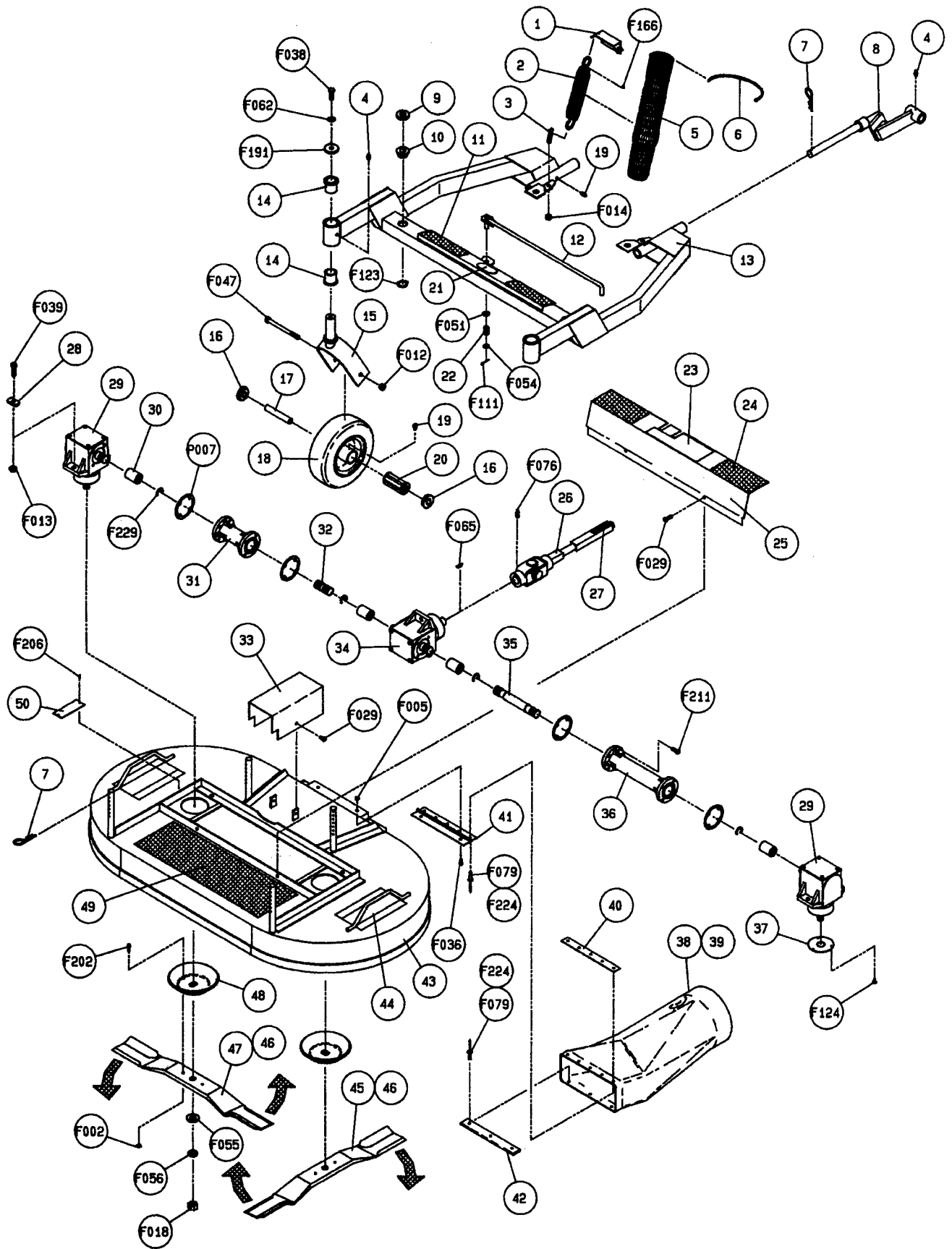


FIGURE D4 - DGHS42 DECK ASSEMBLY

DSD54 DECK ASSEMBLY PARTS LIST (FIGURE D5)

ITEM NO.	PART NO.	DESCRIPTION	NO. REQ'D	ITEM NO.	PART NO.	DESCRIPTION	NO. REQ'D
1	5744-1	Spring Clip Bracket	1	41	6716-2	Rear Axle, Anti-Scalp Roller (Bolt)	1
2	5743-2	Counterweight Spring	2	42	6715	Anti-Scalp Roller	3
3	5743-3	Eye Bolt, Counterweight Spring Tension	2	43	5808	Decal, Danger Rotating Blade	2
4	5830	Grease Fitting	4	44	6705-2	54" Deck Housing, SD	1
5	5743-1	Spring Cover	2	45	5706	Blade Hub And Trash Guard	3
6	5975-3	Cable Tie, 50 X 7	4	46	5705-0	Blade, 20" RH Rotation	3
7	5775-2	Hitch Pin, #6	6	47	5705-9	Blade Set, 54" SD Deck Incl. Hub	1
8	6430-2	Deck Support Arm, LH	1	48	5747-1	Safety Tread (6 X 19)	1
	6430-1	Deck Support Arm, RH (Not Illustrated)	1	49	6716-3	Front Axle, Anti-Scalp Roller (Bolt)	1
9	5727-1	Washer Shim, 1/4" Thick	4	50	6707	Skid Bar, 54" SD Deck	1
10	5740-2	Deck Pin Bushing	4	51	5848	Decal, Danger Side Discharge Shield	1
11	5748	Safety Tread (2 X 6)	2	52	6709	Discharge Shield, 54" SD	1
12	5786-1	Deck Lift Rod (42"/54" Deck)	1	53	5858	Deck Serial Number Plate	1
13	6710-2	54" Deck Carrier Frame	1				
	6700-1	Complete 54" Carrier Frame Assembly	0	P007	P007	Gasket, Cap (Peerless #788030)	6
14	5683	Pivot Bearing (Deck Caster Wheel)	4				
15	5770-2	Caster Wheel Fork	2	F002	F002	10-24 Keps Nut	6
16	5714-7	Bearing Cap (Fits 5715-3 or -4)	4	F004	F004	1/4-20 Keps Nut	4
17	5714-3	Axle Spacer Tube (Fits 5715-3 or -4)	2	F012	F012	3/8-16 Keps Nut	2
18	5715-4	Pneumatic Deck Caster Wheel	2	F013	F013	3/8-16 Whiz Lock Nut	6
	5715-10	Tire Only, Pneumatic 2.80/2.50-4	0	F014	F014	3/8-16 ESNA Nut	4
	5715-9	Tube Only, Pneumatic 2.80/2.50-4	0	F016	F016	1/2-13 Self-Lock Nut	2
	5715-3	Semi-Pneumatic Deck Caster Wheel (Opt.)	0	F018	F018	5/8-18 Hex Nut	3
19	5830-3	Grease Fitting (45 Degree)	4	F029	F029	1/4-20 X 1/2 Hex Bolt	4
20	5714-5	Bearing, Caster Whl (Fits 5715-3 or -4)	2	F031	F031	1/4-20 X 5/8 Hex Bolt	2
21	5809	Decal, Walker Mower Logo	1	F038	F038	3/8-16 X 1 Hex Bolt	2
22	5682	Compression Spring, Deck Lift Rod	1	F039	F039	3/8-16 X 1-1/4 Hex Bolt	8
23	5807-1	Decal, Cutting Height Adjust	1	F047	F047	3/8-16 X 4-1/2 Hex Bolt	2
24	5747-3	Safety Tread (3-1/4 X 11)	2	F051	F051	3/8 SAE Washer	1
25	6785	Gearbox Cover (54" Deck)	1	F054	F054	AN960616 Washer	1
26	5285	Universal Joint Shaft Assembly	1	F055	F055	5/8 SAE Washer	3
27	6875	Decal, PTO Alignment Arrow	1	F056	F056	5/8 Split Lock Washer	3
28	5052-3	Washer, Oblong	4	F059	F059	3/8 Wavey Spring Washer	2
29	5065	Gearbox Connector Tube (7-1/2")	1	F062	F062	#8 Internal Star Lock Washer	2
30	5053-1	Blade Drive Gearbox (RH Rotation)	1	F065	F065	3/16 X 3/4 Woodruff Key (#9)	1
31	6732-4	Connecting Shaft (5")	1	F076	F076	3/8-16 X 5/8 SH Set Screw	1
32	6054	Spline Coupling	5	F111	F111	1/8 X 3/4 Cotter Pin	1
33	5051	Tee Gearbox	1	F123	F123	1" External Snap Ring (Fits 5740-2)	4
34	5060	Gearbox Connector Tube (2-1/2")	1	F124	F124	10-32 X 3/8 Taptite Screw	12
35	5058	Tee Gearbox, Blade Drive	1	F166	F166	Retainer Ring (Fits 5743-2)	4
36	6732-5	Connecting Shaft (11")	1	F191	F191	3/8 X 1-1/2 X 3/16 Washer (Fits 5770-2)	2
37	5745	PTO Shaft Guard	1	F202	F202	10-24 x 5/8 SCH Machine Screw (Grade 8)	6
38	5064	Gearbox Connector Tube (13-1/2")	1	F206	F206	#2 X 3/16 Drive Pin	2
39	5052-1	Blade Drive Gearbox (LH Rotation)	1	F211	F211	1/4-20 X 7/8 Hex Head Bolt	26
40	5706-4	Seal Protector Plate	4	F229	F229	C-Clip, 13/16"	4

NOTE: Unitized Deck Gear Drive Shown By This Illustration Begins Approximately With S/N DX-13950

DML42 DECK ASSEMBLY PARTS LIST (FIGURE D6)

ITEM NO.	PART NO.	DESCRIPTION	NO. REQ'D	ITEM NO.	PART NO.	DESCRIPTION	NO. REQ'D
1	5744-1	Spring Clip Bracket	1	38	5706-4	Seal Protector Plate	3
2	5743-2	Counterweight Spring	2	39	5701-1	42" Deck Housing, Mulching	1
3	5743-3	Eye Bolt, Counterweight Spring Tension	2	40	5808	Decal, Danger Rotating Blade	2
4	5830	Grease Fitting	4	41	5706	Blade Hub And Trash Guard	2
5	5743-1	Spring Cover	2	42	5705-11	Blade, 22" Upper Mulching	2
6	5975-3	Cable Tie, 50 X 7	4	43	5705-10	Blade, 21" Lower Mulching	2
7	5775-2	Hitch Pin, #6	6	44	5705-12	Blade Set, 42" Mulching Deck Incl. Hub	1
8	6430-2	Deck Support Arm, LH	1	45	5747-1	Safety Tread (6 x 19)	1
	6430-1	Deck Support Arm, RH (Not Illustrated)	1	46	5858	Deck Serial Number Plate	1
9	5727-1	Washer Shim, 1/4" Thick	4				
10	5740-2	Deck Pin Bushing	4	P007	P007	Gasket, Cap (Peerless #788030)	4
11	5748	Safety Tread (2 X 6)	2				
12	5786-1	Deck Lift Rod (42"/54" Deck)	1	F002	F002	10-24 Keps Nut	4
13	5719-3	42" Deck Carrier Frame	1	F012	F012	3/8-16 Keps Nut	2
	5700-6	Complete 42" Carrier Frame Assembly	0	F013	F013	3/8-16 Whiz Lock Nut	4
14	5683	Pivot Bearing (Deck Caster Wheel)	4	F014	F014	3/8-16 ESNA Nut	2
15	5770-2	Caster Wheel Fork	2	F018	F018	5/8-18 Hex Nut	2
16	5714-7	Bearing Cap (Fits 5715-3 or -4)	4	F029	F029	1/4-20 X 1/2 Hex Bolt	4
17	5714-3	Axle Spacer Tube (Fits 5715-3 or -4)	2	F038	F038	3/8-16 X 1 Hex Bolt	2
18	5715-4	Pneumatic Deck Caster Wheel	2	F039	F039	3/8-16 X 1-1/4 Hex Bolt	4
	5715-10	Tire Only, Pneumatic 2.80/2.50-4	0	F047	F047	3/8-16 X 4-1/2 Hex Bolt	2
	5715-9	Tube Only, Pneumatic 2.80/2.50-4	0	F051	F051	3/8 SAE Washer	1
	5715-3	Semi-Pneumatic Deck Caster Wheel (Opt.)	0	F054	F054	AN960616 Washer	1
19	5830-3	Grease Fitting (45 Degree)	4	F055	F055	5/8 SAE Washer	2
20	5714-5	Bearing, Caster Whl (Fits 5715-3 or -4)	2	F056	F056	5/8 Split Lock Washer	2
21	5809	Decal, Walker Mower Logo	1	F062	F062	#8 Internal Star Lock Washer	2
22	5682	Compression Spring, Deck Lift Rod	1	F065	F065	3/16 X 3/4 Woodruff Key (#9)	1
23	5807-1	Decal, Cutting Height Adjust	1	F076	F076	3/8-16 X 5/8 SH Set Screw	1
24	5747-0	Safety Tread (3-1/4 X 6)	2	F111	F111	1/8 X 3/4 Cotter Pin	1
25	5785	Gearbox Cover (42" Deck)	1	F123	F123	1" External Snap Ring (Fits 5740-2)	4
26	5285	Universal Joint Shaft Assembly	1	F124	F124	10-32 X 3/8 Taptite Screw	9
27	6875	Decal, PTO Alignment Arrow	1	F166	F166	Retainer Ring (Fits 5743-2)	4
28	5052-3	Washer, Oblong	4	F191	F191	3/8 X 1-1/2 X 3/16 Washer (Fits 5770-2)	2
29	5053-1	Blade Drive Gearbox (RH Rotation)	1	F202	F202	10-24 x 5/8 SCH Machine Screw (Grade 8)	4
30	6054	Spline Coupling	4	F206	F206	#2 X 3/16 Drive Pin	2
31	5062	Gearbox Connector Tube (4-1/2")	1	F211	F211	1/4-20 X 7/8 Hex Bolt	16
32	6732-1	Connecting Shaft (2")	1	F229	F229	C-Clip, 13/16"	4
33	5051	Tee Gearbox	1				
34	5745	PTO Shaft Guard	1				
35	6732-3	Connecting Shaft (6")	1				
36	5063	Gearbox Connector Tube (8-1/2")	1				
37	5052-1	Blade Drive Gearbox (LH Rotation)	1				

NOTE: Unitized Deck Gear Drive Shown By This Illustration Begins Approximately With S/N DX-13950

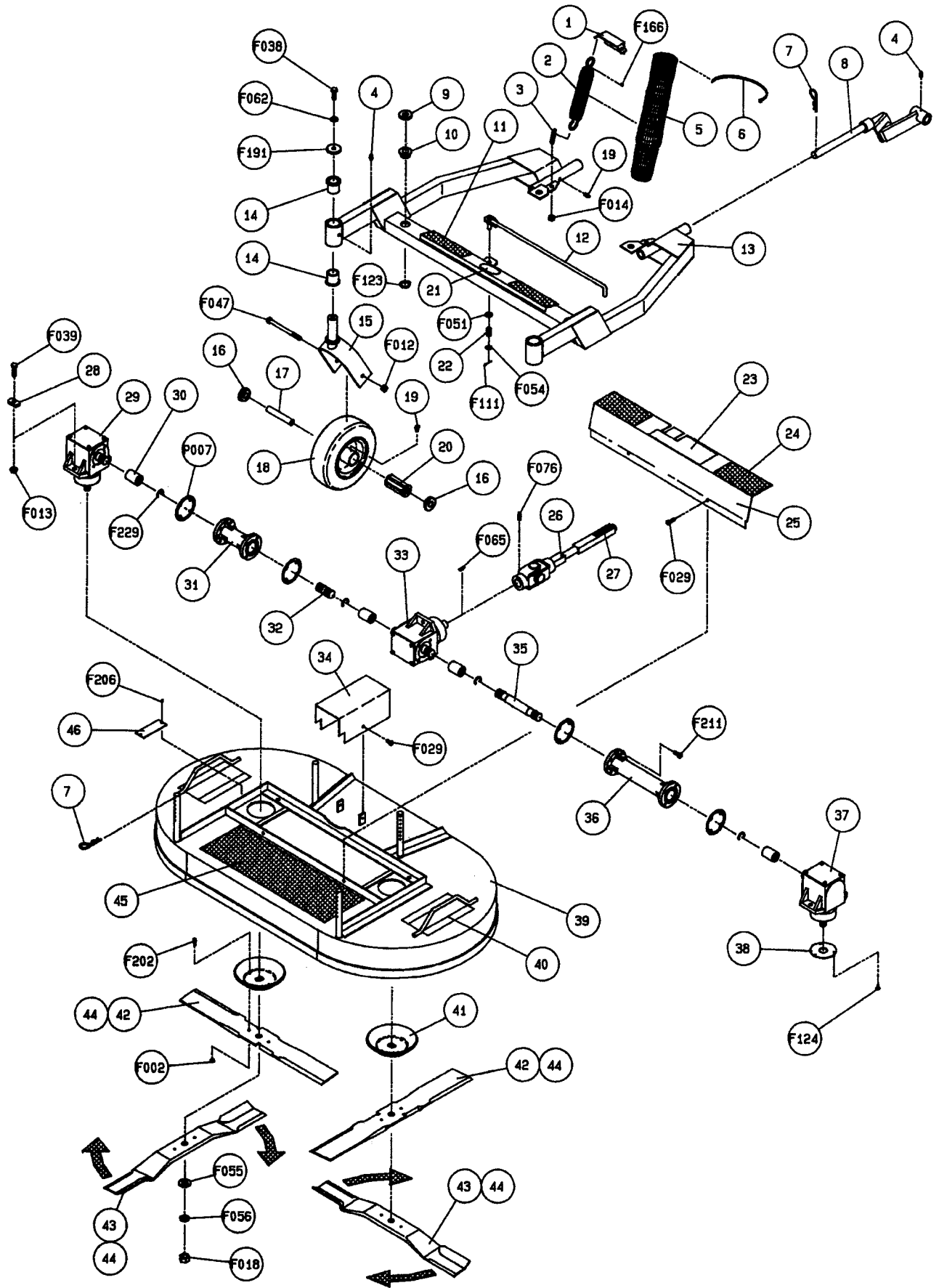


FIGURE D6 - DML42 DECK ASSEMBLY